

DESCRIPTION

The BAW Series of LED luminaires features adjustable light bars that can be oriented in up, down and up/down orientations to create dramatic lighting effects. This family of product is offered in four different light outputs and two sizes to complement any building exterior and to accommodate multiple mounting heights.

CONSTRUCTION

- Die-cast aluminum housing with stainless steel hardware
- Housing is supplied with three 1/2" hubs: one on each side and one on the bottom
- Adjustable light bars can be aimed in any orientation, providing downlighting, uplighting, forward aiming, backlight aiming (BAW1 and BAW2), or a combination of up/down/aiming (BAW2)
- Exterior coated with polyester powder coat paint in a bronze finish

OPTICS/LEDS

- BAW1 is offered with one adjustable light bar, 360° rotation, 25 Watts or 40 Watts, over 5000 lumens
- BAW2 is offered with two adjustable light bars, 360° rotation, 60 Watts or 80 Watts, over 10,500 lumens
- Efficacies up to 133 LPW to maximize energy savings and utility rebates
- UV-stabilized polycarbonate optical lens
- Available in 4000K and 5000K CCT
- L70 of 61,000 hours
- CRI ≥ 70

ELECTRICAL

- Class 2 power supply, 120-277VAC, 50/60Hz
- Power supply with high power factor of 90% typical
- Total harmonic distortion of less than 20%

INSTALLATION

- Once light bar angle has been selected, position can be locked into place by securing set screws on the light bar
- Housing mounts to backplate for ease of installation
- Several 1/2" hubs allow surface mount conduit feed
- Mounts to standard 3 1/2" or 4" square electrical J-box

ACCESSORIES

- External pencil type photocontrols available (PCE1 or PCE2) for field installation

TESTING & COMPLIANCE

- UL Listed for Wet Locations, IP65 rated
- DesignLights Consortium® (DLC) PREMIUM Qualified Product
- Operating temperatures: -20°C to 40°C (-4°F to 104°F)

WARRANTY

- Five year warranty (terms and conditions apply)

Model: _____ Date: _____
Accessories: _____
Job Name: _____ Type: _____



Specs At A Glance*				
Wattage (W)	25	40	60	80
Lumens (lm)	3280	5131	7854	10,598
Efficacy (LPW)	129	128	129	133
Equivalency	100W HID	150W HID	250W HID	400W HID
CCT	4000K, 5000K			
CRI	≥70			
Input Voltage	120-277VAC, 50/60Hz			
Operating Temp	-20°C to 40°C (-4°F to 104°F)			
Certifications	UL Listed for Wet Locations, IP65, DLC PREMIUM			
Warranty	5 Years			
Weight	4.2 lbs		6.6 lbs	

*Nominal Wattage. Tested at 5000K CCT

ORDERING INFORMATION

Example: BAW1-25-4K-BR

Series / Configuration	Wattage	Voltage	CCT	Finish	Accessories* (Field Installed)
BAW1 = Adjustable, 1 bar	25 ¹ = 25W	BLANK = 120-277VAC	4K = 4000K	BR = Bronze	PCE1 = 120VAC External pencil photocontrol
BAW2 = Adjustable, 2 bars	40 ¹ = 40W		5K = 5000K		PCE2 = 277VAC External pencil photocontrol
	60 ² = 60W				
	80 ² = 80W				

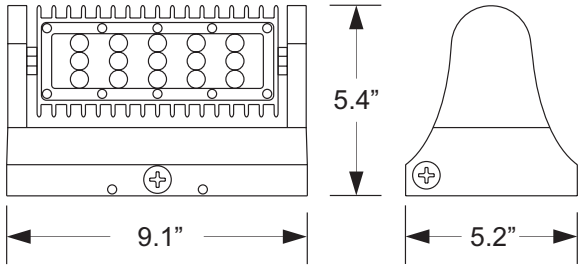
Notes:

¹Only available with BAW1 configuration

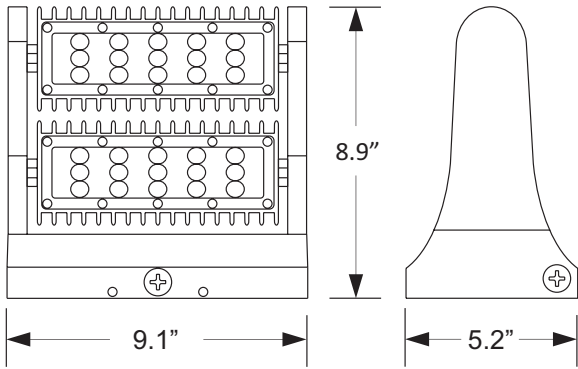
²Only available with BAW2 configuration

³Order as a separate line item; shipped in separate box for field installation

DIMENSIONS



BAW1 (25W & 40W)

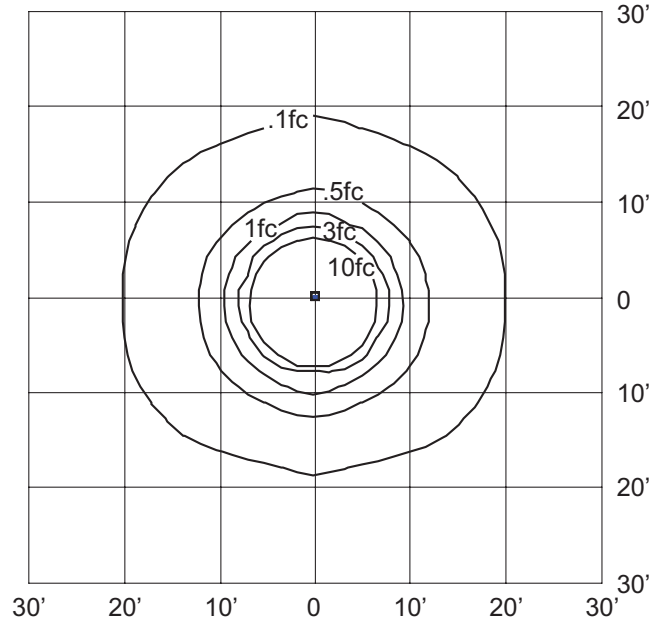


BAW2 (60W & 80W)

SAMPLE PHOTOMETRICS

BAW2-60-4K

IES: TYPE 1 Very Short
 MOUNTING HEIGHT: 10'
 TILT: ZERO



Specifications are subject to change without notice.
 Installation must be performed in accordance with
 Barron Lighting Group installation instructions.